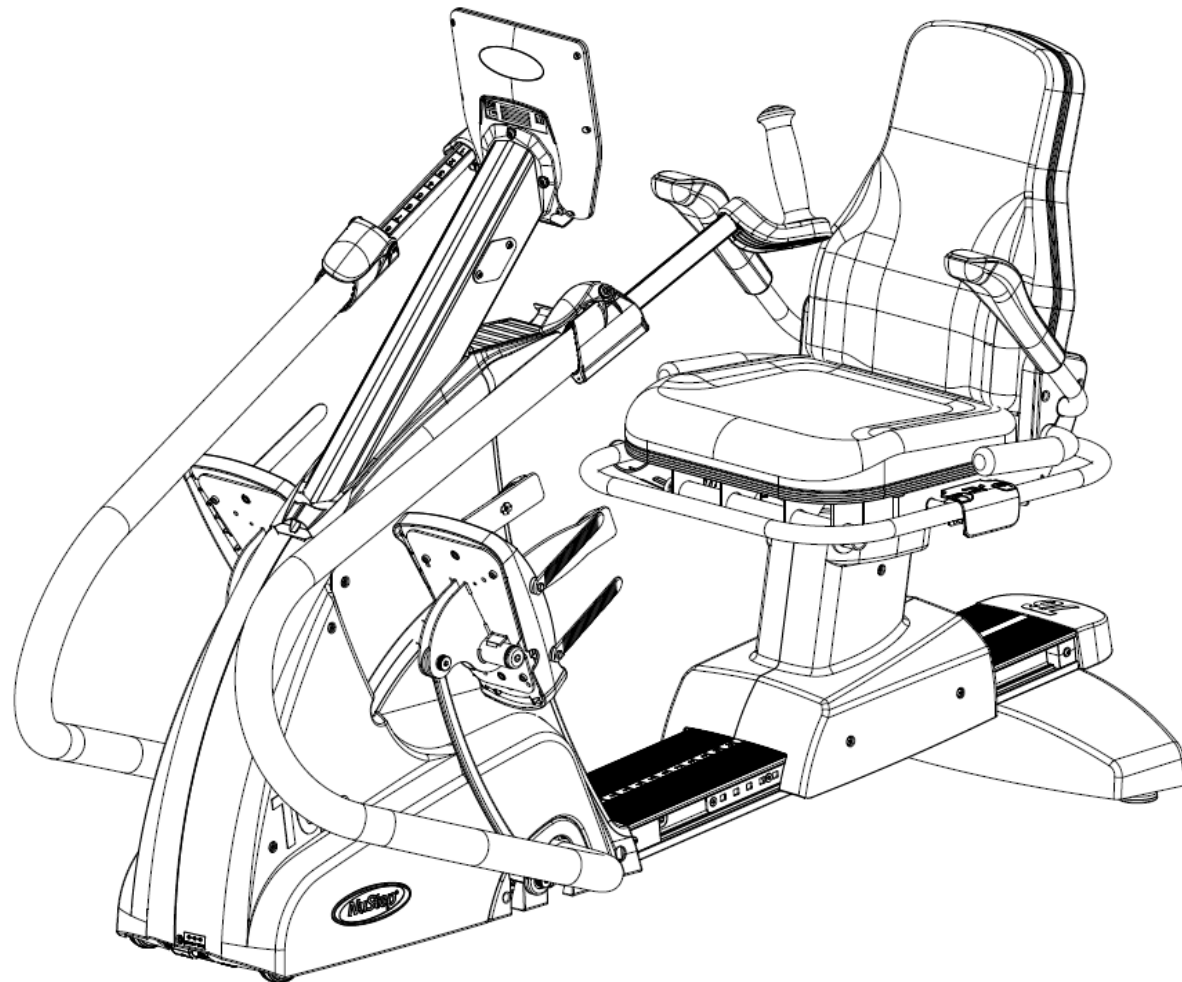


# NuStep<sup>®</sup> T6

Recumbent Cross Trainer

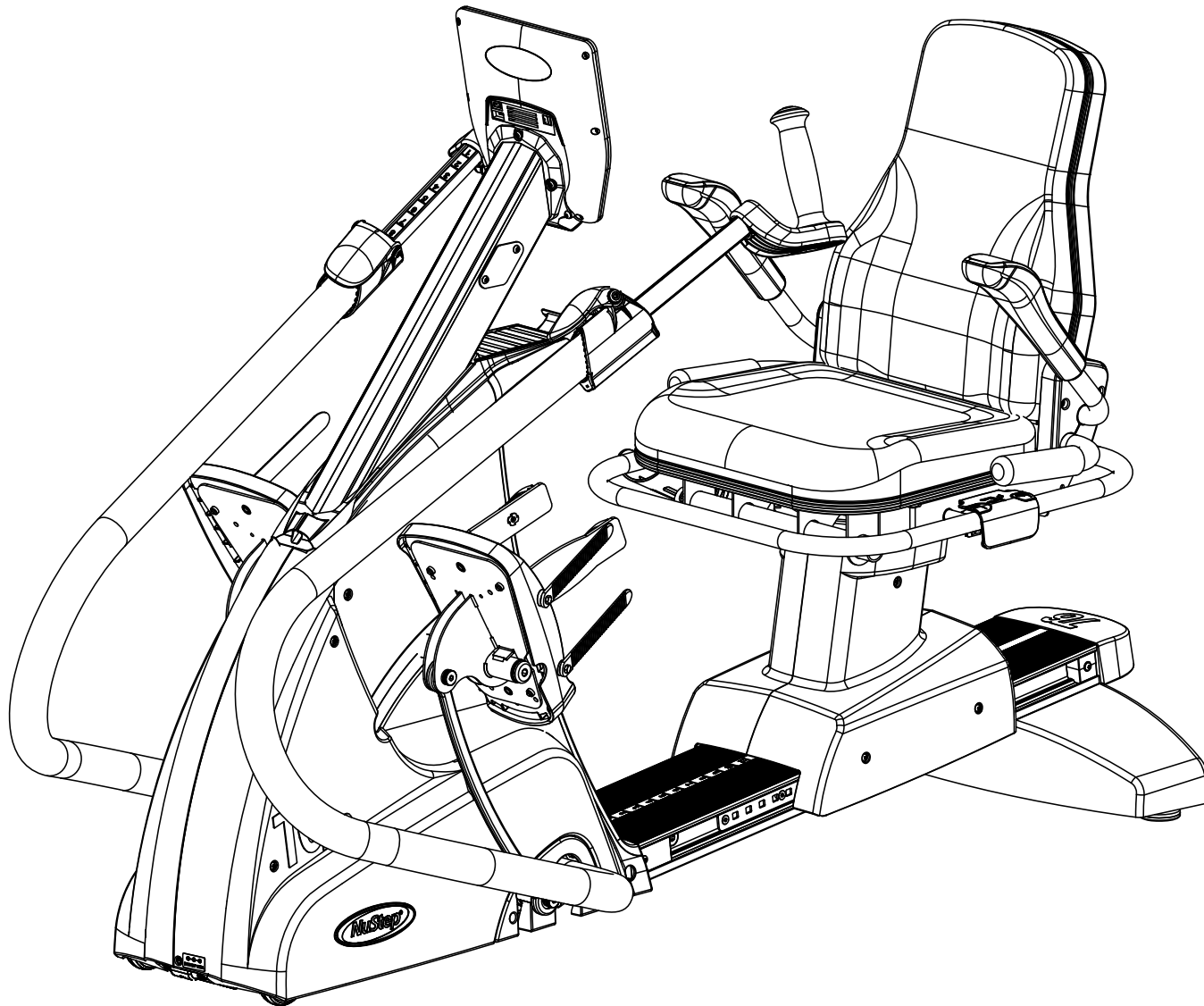
SERVICE PARTS MANUAL





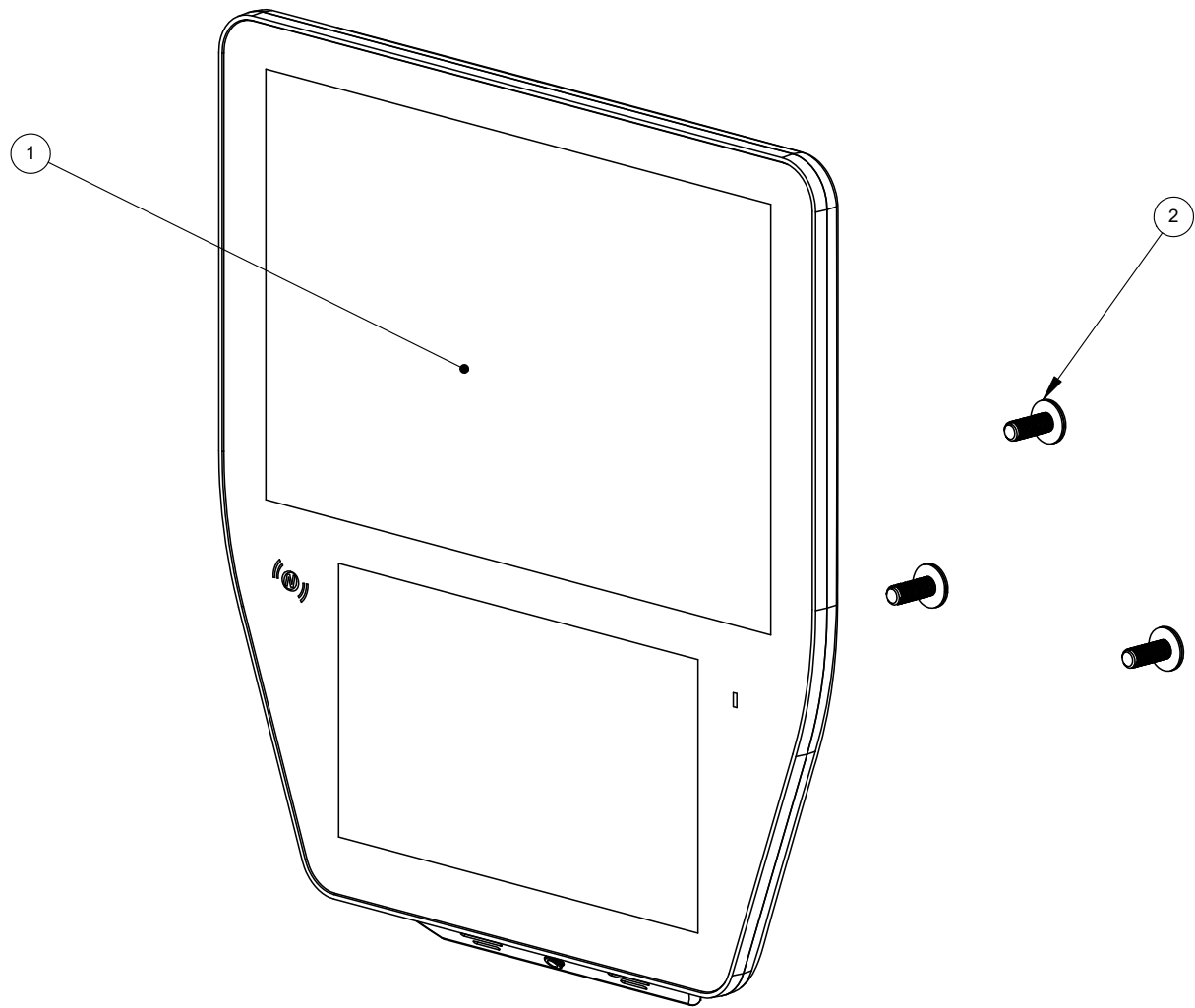
# Contents

T6 Assembled View	4
Console Group	5
Front End Group	6
Arms Group	10
Foot Pedal Group	12
Rear End Group	13
Seat Group	14
Cable Diagram	20



	TITLE:	PARTS MANUAL T6	DWG. NO.	52400	REV	A	APP	DCS	RELEASE DATE	5/6/2020
---	--------	--------------------	----------	-------	-----	---	-----	-----	--------------	----------

ITEM NO.	PART NUMBER	DESCRIPTION	QTY.
1	56130	Service Kit - Console, T6	1
2	52357	Screw - BHCS, M6x1x16, Flanged, Hex, Zinc, Patched	3



TITLE: T6 PARTS MANUAL  
CONSOLE GROUP

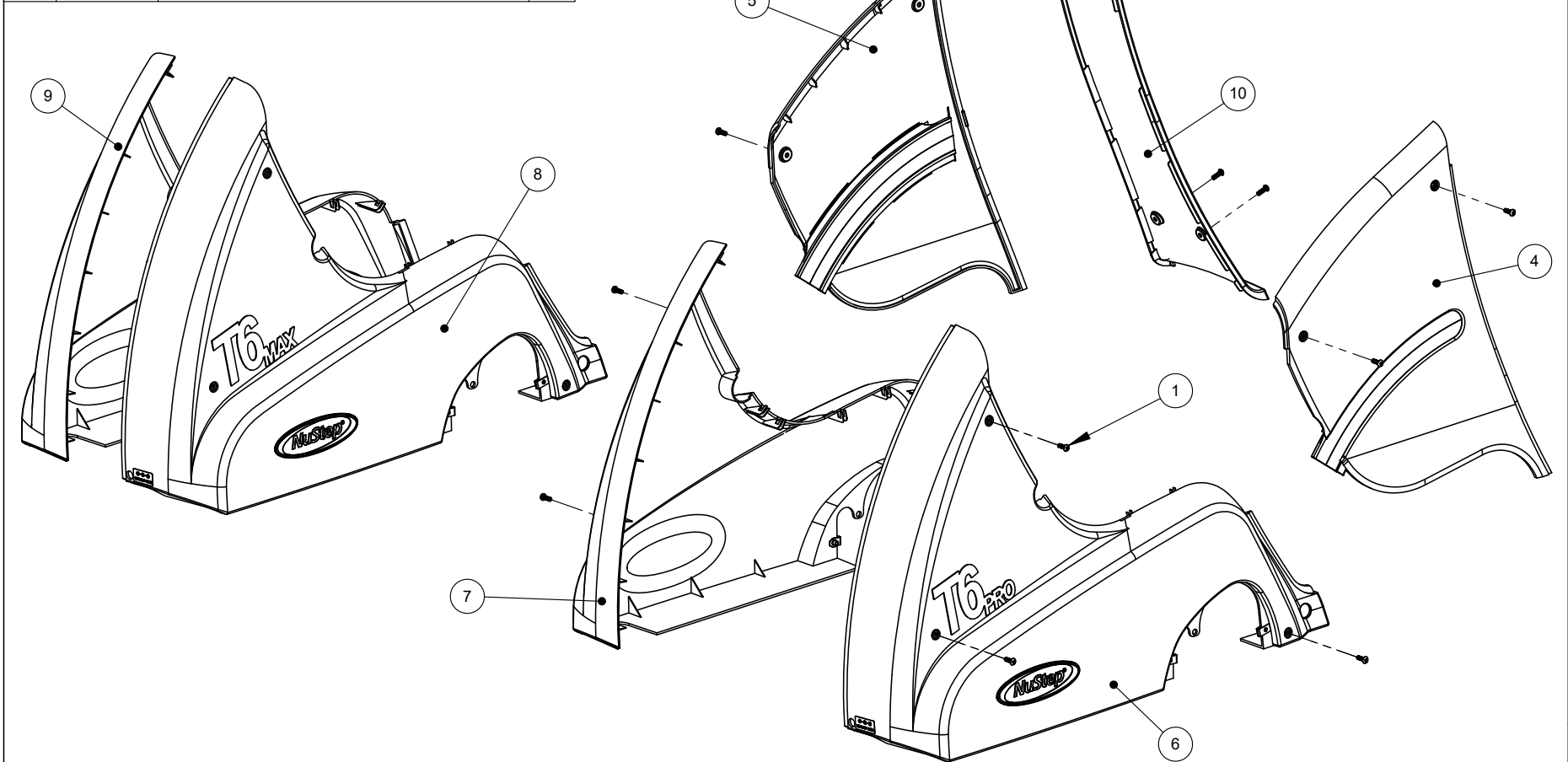
DWG. NO.  
52402

REV  
A

APP  
DCS

RELEASE DATE  
5/6/2020

ITEM NO.	PART NUMBER	DESCRIPTION	QTY.
1	50704	Screw - BHSC, M5x0.8px16, Hex, SS	14
2	52291	Boot - Console Neck	1
3	52292	Cover - Stride Lock Shroud	1
4	56131	Service Kit - Cover, Front Upper, T6, LH	1
5	56132	Service Kit - Cover, Front Upper, T6, RH	1
6	56133	Service Kit - Cover, Front Lower, T6 LH	1
7	56134	Service Kit - Cover, Front Lower, T6 RH	1
8	56176	Service Kit - Cover, Front Lower T6 MAX, LH	1
9	56177	Service Kit - Cover, Front Lower T6 MAX, RH	1
10	58248	Service Kit - Front End Trim Cover, Transitt	1
11	59417	Screw - BHSC, M5 x 12 mm, SS Hex	2
12	59862	Bolt - Hex Flange, M6x1.0px20, MATpoint	2



**SERVICE KITS MAY INCLUDE INSTRUCTIONS AND TOOLS**



TITLE: T6 PARTS MANUAL  
FRONT END GROUP

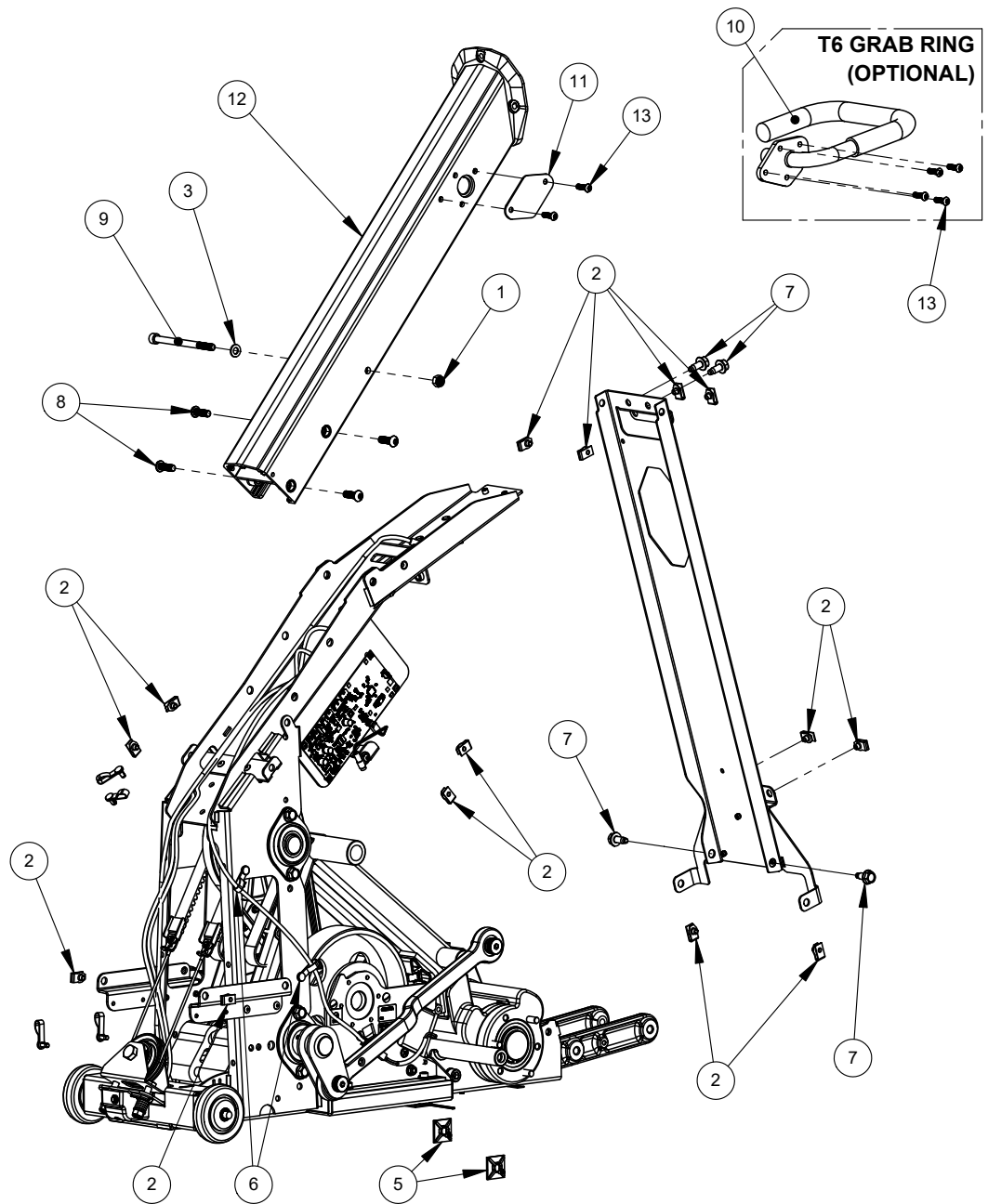
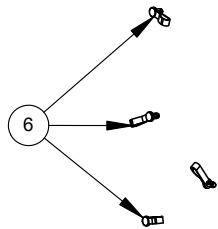
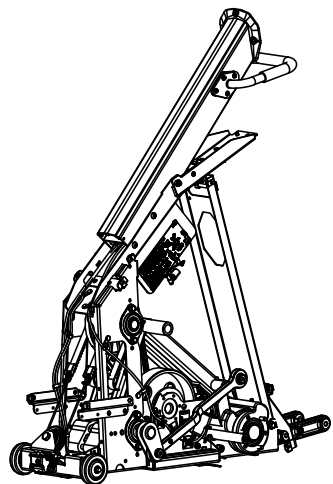
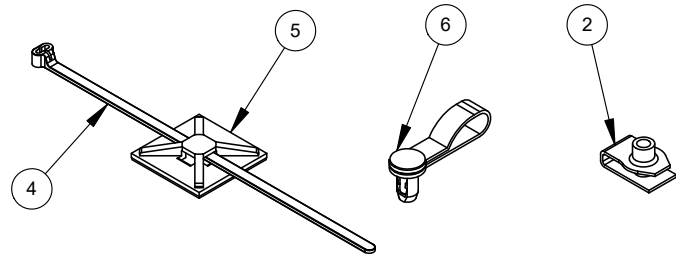
DWG. NO.  
52403

REV  
A

APP  
DCS

RELEASE DATE  
5/6/2020

ITEM NO.	PART NUMBER	DESCRIPTION	QTY.
1	50546	Nut - Locking, Nylon Insert, M8x1.25, DIN 985, Zinc Plated	1
2	50670	ITW CIP N623331, U-Nut M5 x .8	14
3	50847	Washer - M8, DIN 125	1
4	50881	Ty-Rap, Thomas & Betts TY524MX	2
5	50884	Cable Mounting Base T&B #MPNY-1000-0-C	2
6	51366	Cable Hanger - Richco CH-2-01	10
7	51426	Bolt - Hex Flange, M8x1.25px20, MATpoint, Magni 565 Plated	4
8	51756	Screw - BHSC, M8x1.25x25, Class 10.9, Hex, Black Oxide, VC-3 Patched	4
9	52284	Bolt - SHCS, M8x1.25x110	1
10	52341	Assembly - Grab Ring, Dipped, T6	1
11	52345	COVER - GRAB RING	1
12	52381	Service Assembly - Neck Extrusion, T6	1
13	52396	Screw - BHCS, M6x1px20, Torx, Zinc Plated Steel	6



TITLE: T6 PARTS MANUAL  
FRONT END GROUP

DWG. NO. 52404

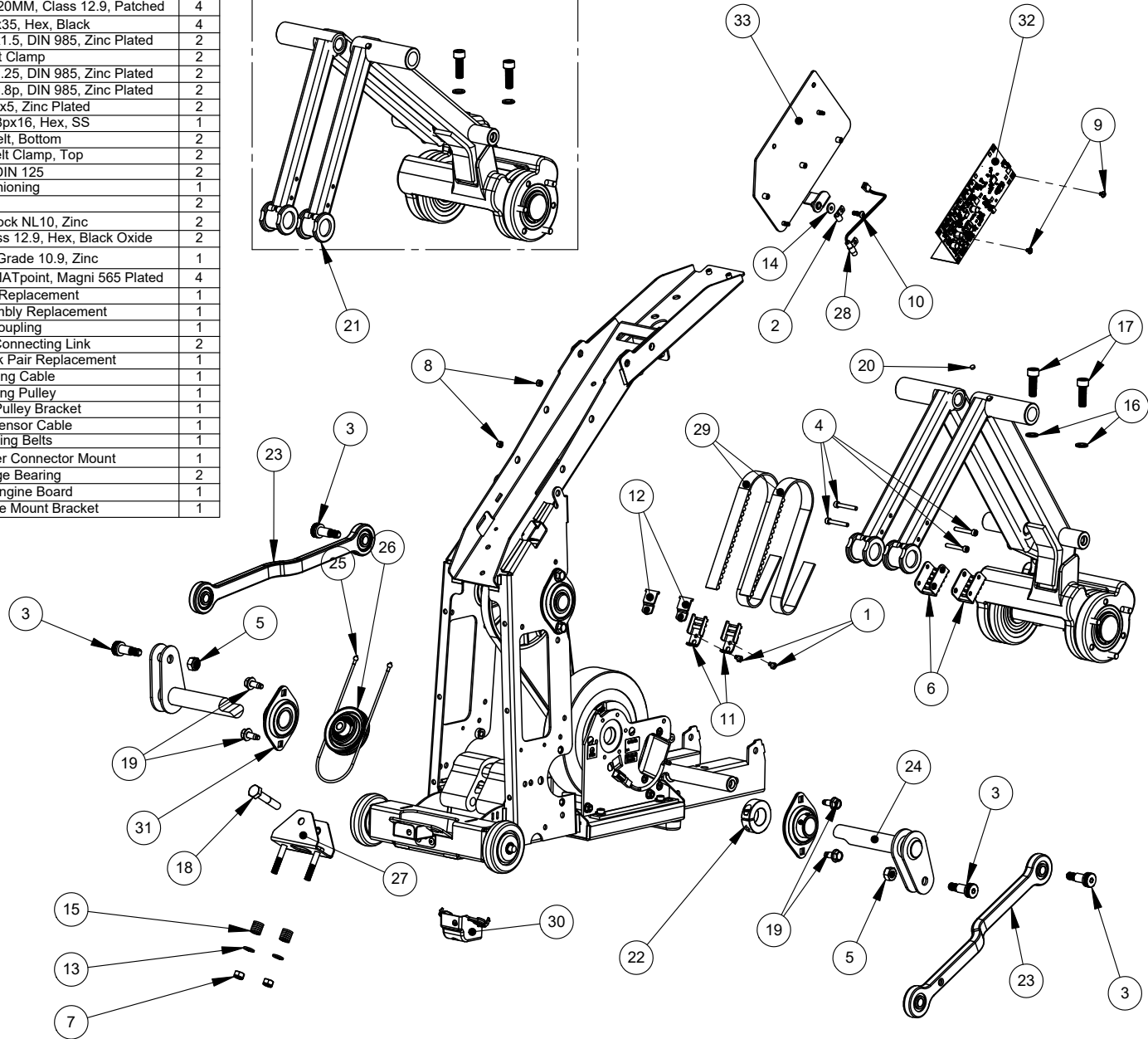
REV A

APP DCS

RELEASE DATE 5/6/2020

ITEM NO.	PART NUMBER	DESCRIPTION	QTY.
1	40368	Screw - HHTM, 10-32 x 5/16, 18-8 Stainless Steel	2
2	41118	CLAMP - STEP SENSOR	1
3	50061	Screw, Shoulder - SHSS, 12MM x 20MM, Class 12.9, Patched	4
4	50155	Screw-SHCS, M5x0.8x35, Hex, Black	4
5	50417	Nut - Locking, Nylon Insert, M10x1.5, DIN 985, Zinc Plated	2
6	50480	Assembly - Belt Clamp	2
7	50546	Nut - Locking, Nylon Insert, M8x1.25, DIN 985, Zinc Plated	2
8	50605	Nut - Locking, Nylon Insert, M5x0.8p, DIN 985, Zinc Plated	2
9	50608	Screw - PHP, M4x0.7px5, Zinc Plated	2
10	50704	Screw - BHSC, M5x0.8px16, Hex, SS	1
11	50815	Clamp - Timing Belt, Bottom	2
12	50817	Assembly - Timing Belt Clamp, Top	2
13	50847	Washer - M8, DIN 125	2
14	50888	Washer - Cushioning	1
15	50940	Spring	2
16	50990	Washer - Pair, Nord Lock NL10, Zinc	2
17	50991	Screw - SHC, M10x1.5px30, Class 12.9, Hex, Black Oxide	2
18	51367	Bolt - Hex M10x1.5x55 Grade 10.9, Zinc	1
19	51426	Bolt - Hex Flange, M8x1.25px20, MATpoint, Magni 565 Plated	4
20	51473	Kit - Sensor Magnet Replacement	1
21	51677	Service Kit - Sickle Assembly Replacement	1
22	51767	Service Kit - Coupling	1
23	56030	Service Kit - Bilateral Connecting Link	2
24	56031	Service Kit - Bilateral Crank Pair Replacement	1
25	56032	Service Kit - Timing Cable	1
26	56033	Service Kit - Timing Pulley	1
27	56034	Service Kit - Timing Pulley Bracket	1
28	56037	Service Kit - Step Sensor Cable	1
29	56038	Service Kit - Timing Belts	1
30	56040	Service Kit - External Power Connector Mount	1
31	56043	Service Kit - Flange Bearing	2
32	56139	Service Kit - Data Engine Board	1
33	56140	Service Kit - Data Engine Mount Bracket	1

**51677 SERVICE KIT - SICKLE ASSEMBLY REPLACEMENT**



**SERVICE KITS MAY INCLUDE INSTRUCTIONS AND TOOLS**



TITLE: T6 PARTS MANUAL  
FRONT END GROUP

DWG. NO.  
52405

REV  
A

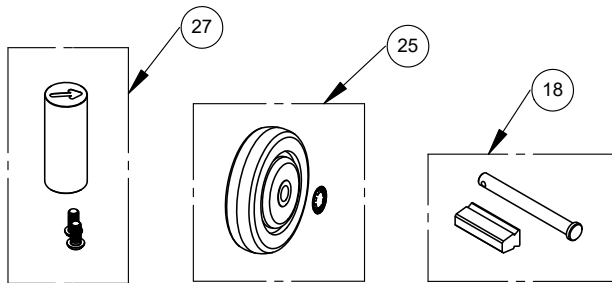
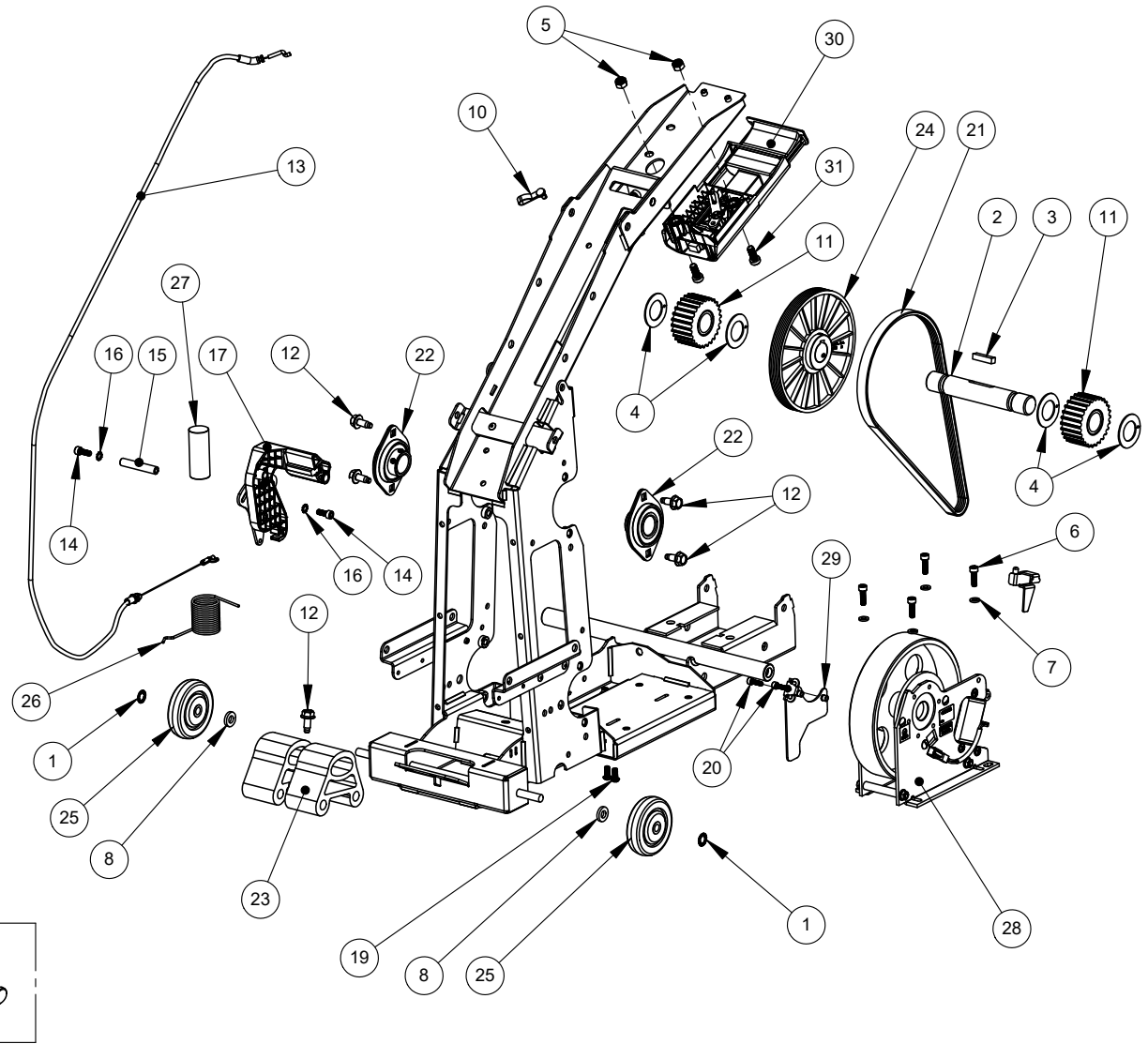
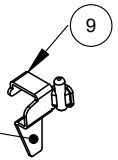
APP  
DCS

RELEASE DATE  
5/6/2020



ITEM NO.	PART NUMBER	DESCRIPTION	QTY.
1	50014	Push Nut - Reinforced, .375 Dia. Shaft	2
2	50021	Shaft - Drive, Main	1
3	50024	Key - Drive Shaft	1
4	50427	IGUS Thrust Washer GTM-2644-015	4
5	50546	Nut - Locking, Nylon Insert, M8x1.25, Zinc Plated, DIN 985	2
6	50707	Screw - SHCS, M6x1.0px20,Hex, Black Oxide, Class 12.9, Patched	4
7	50708	Washer - Flat, Narrow, M6	4
8	50853	Spacer - Wheel	2
9	51299	Tool - Poly V Belt Installation	1
10	51366	Cable Hanger - Richco CH-2-01	1
11	51405	Service Assembly - Drive Sprocket	2
12	51426	Bolt - Hex Flange, M8x1.25px20, MATpoint, Magni 565 Plated	5
13	51802	Service Kit - StrideLock Cable Assembly	1
14	51803	Screw - SHCS, M6x1.0x16,Hex, Black Oxide, Class 12.9	2
15	51808	Shaft - Standoff Generator	1
16	51809	Washer - Serrated Lock, M6	2
17	51893	Service Kit - StrideLock Brake Assembly	1
18	51907	Service Kit - Brake Pad	1
19	51908	Screw - BHSC, M6x1.0x14, Patched	2
20	51909	Screw - SHCS M5x0.8x16, Class 12.9, Hex, Black Oxide	2
21	56042	Service Kit - Poly V Belt	1
22	56043	Service Kit - Flange Bearing	2
23	56044	Service Kit - Pedal Bumper	1
24	56047	Service Kit - Poly V Pulley	1
25	56048	Service Kit - Front Wheel	2
26	56049	Service Kit - StrideLock Torsion Spring	1
27	56050	Service Kit - StrideLock Brake Arbor	1
28	56141	Service Kit - Brake, T6	1
29	56142	Service Kit - Optical Sensor, T6	1
30	56143	Service Kit - StrideLock Push Button Assembly - T6	1
31	59117	SCREW - M8 X 20 ZN PLATED STEEL SHCS	2

**REMOVAL & REPLACEMENT OF 50252 BELT - POLY-V <sup>21</sup>**  
**REQUIRES 51299 POLY-V BELT INSTALLATION TOOL**  
**BELT MUST BE REMOVED TO REPLACE ANY COMPONENT**  
**THAT TOUCHES THE MAIN SHAFT <sup>2</sup>**



**SERVICE KITS MAY INCLUDE INSTRUCTIONS AND TOOLS**



TITLE: T6 PARTS MANUAL  
FRONT END GROUP

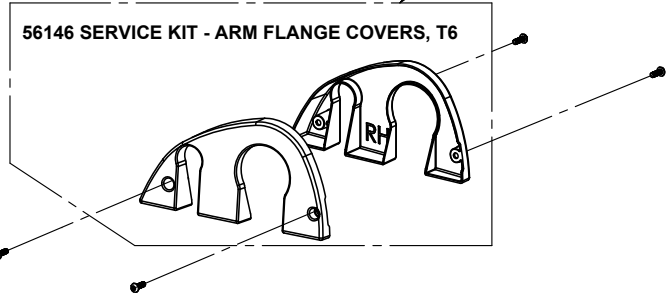
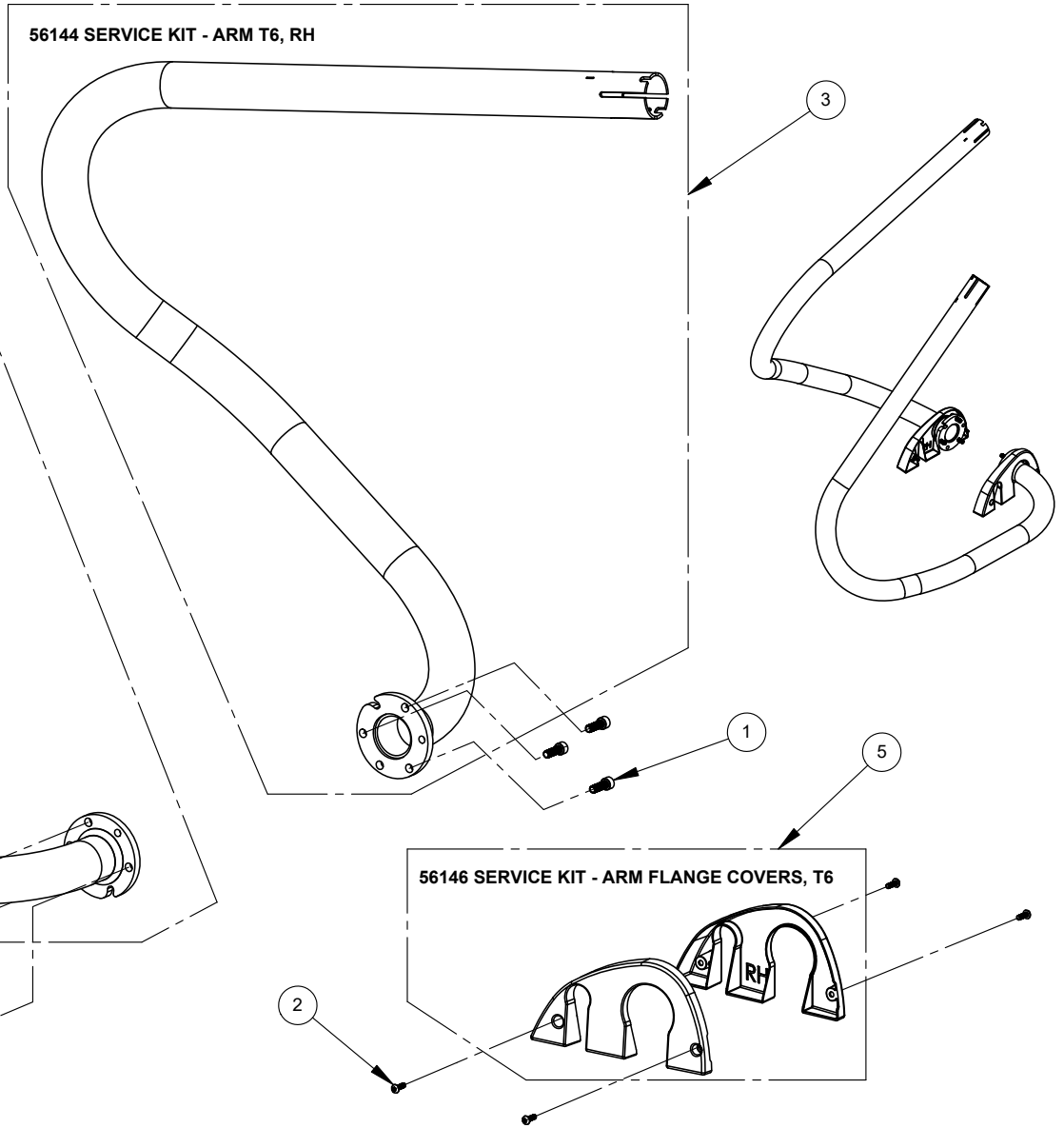
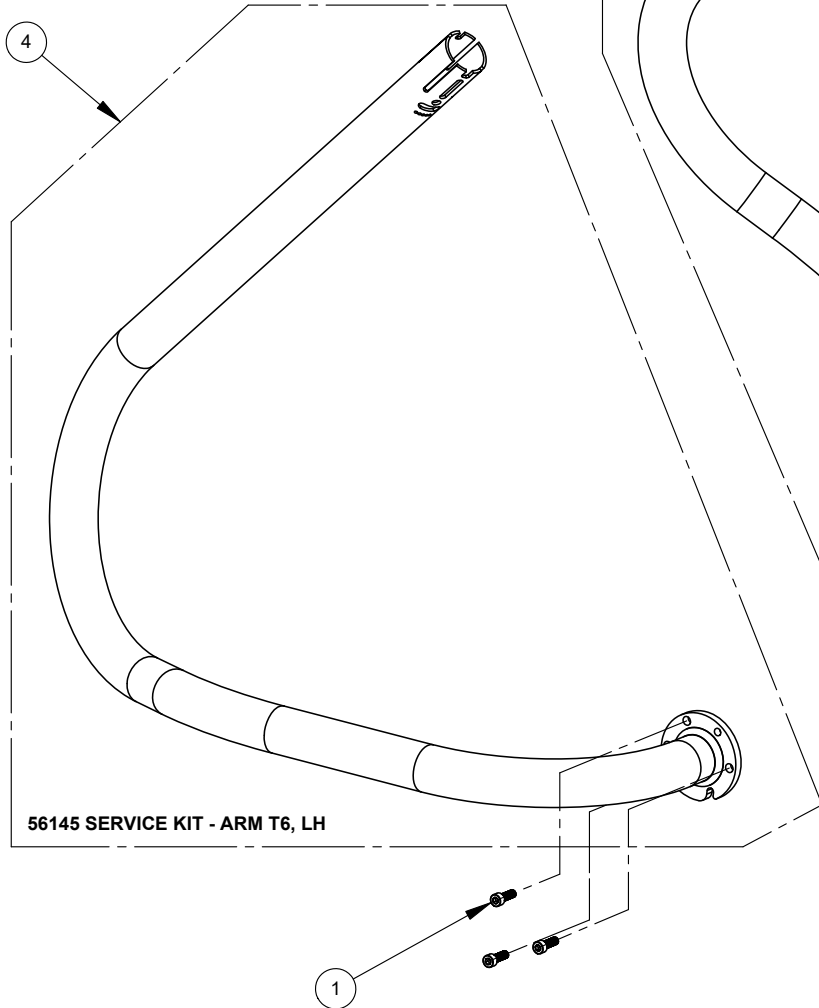
DWG. NO. 52406

REV A

APP DCS

RELEASE DATE 5/6/2020

ITEM NO.	PART NUMBER	DESCRIPTION	QTY.
1	50032	Screw - SHC, M8x1.25x25, Class 12.9, Hex, Black Oxide, Patched	6
2	50704	Screw - BHSC, M5x0.8px16, Hex, SS	4
3	56145	Service Kit - Arm T6, LH	1
4	56144	Service Kit - Arm T6, RH	1
5	56146	Service Kit - Arm Flange Covers, T6	1



**SERVICE KITS MAY INCLUDE INSTRUCTIONS AND TOOLS**



TITLE: T6 PARTS MANUAL  
ARMS GROUP

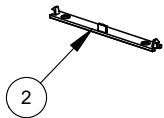
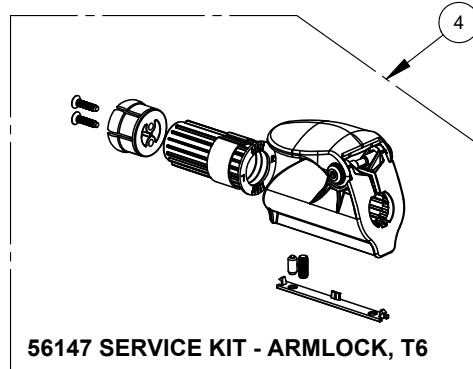
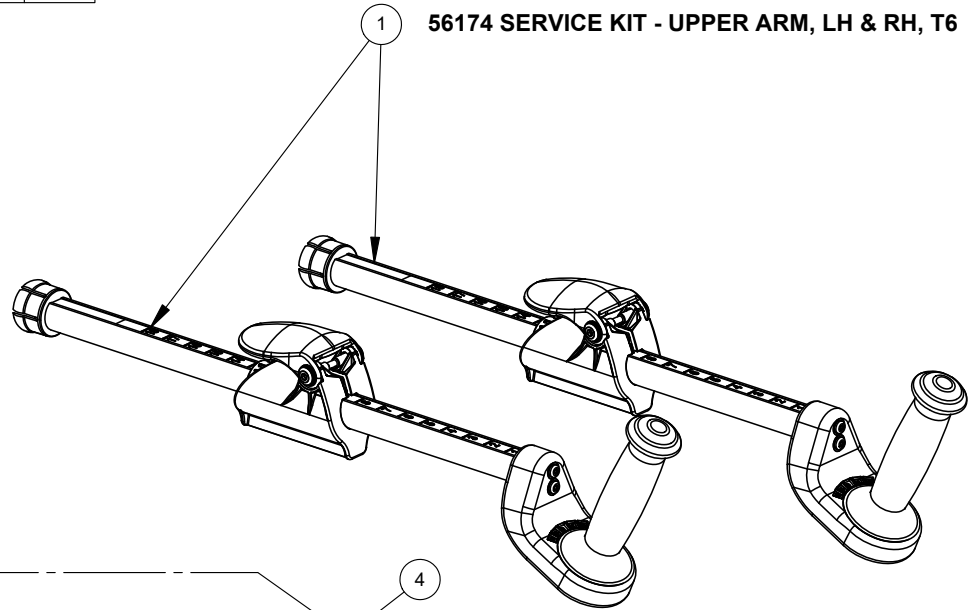
DWG. NO.  
52407

REV  
A

APP  
DCS

RELEASE DATE  
5/6/2020

ITEM NO.	PART NUMBER	DESCRIPTION	QTY.
1	56174	Service Kit - Upper Arm, LH & RH, T6	2
2	50051	Cover - Armlock	1
3	56147	Service Kit - Armlock, T6	2



**SERVICE KITS MAY INCLUDE INSTRUCTIONS AND TOOLS**



TITLE: T6 PARTS MANUAL  
ARMS GROUP

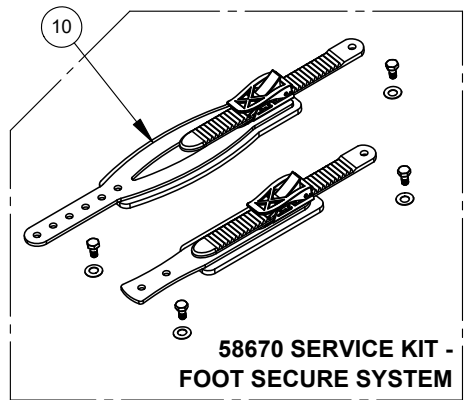
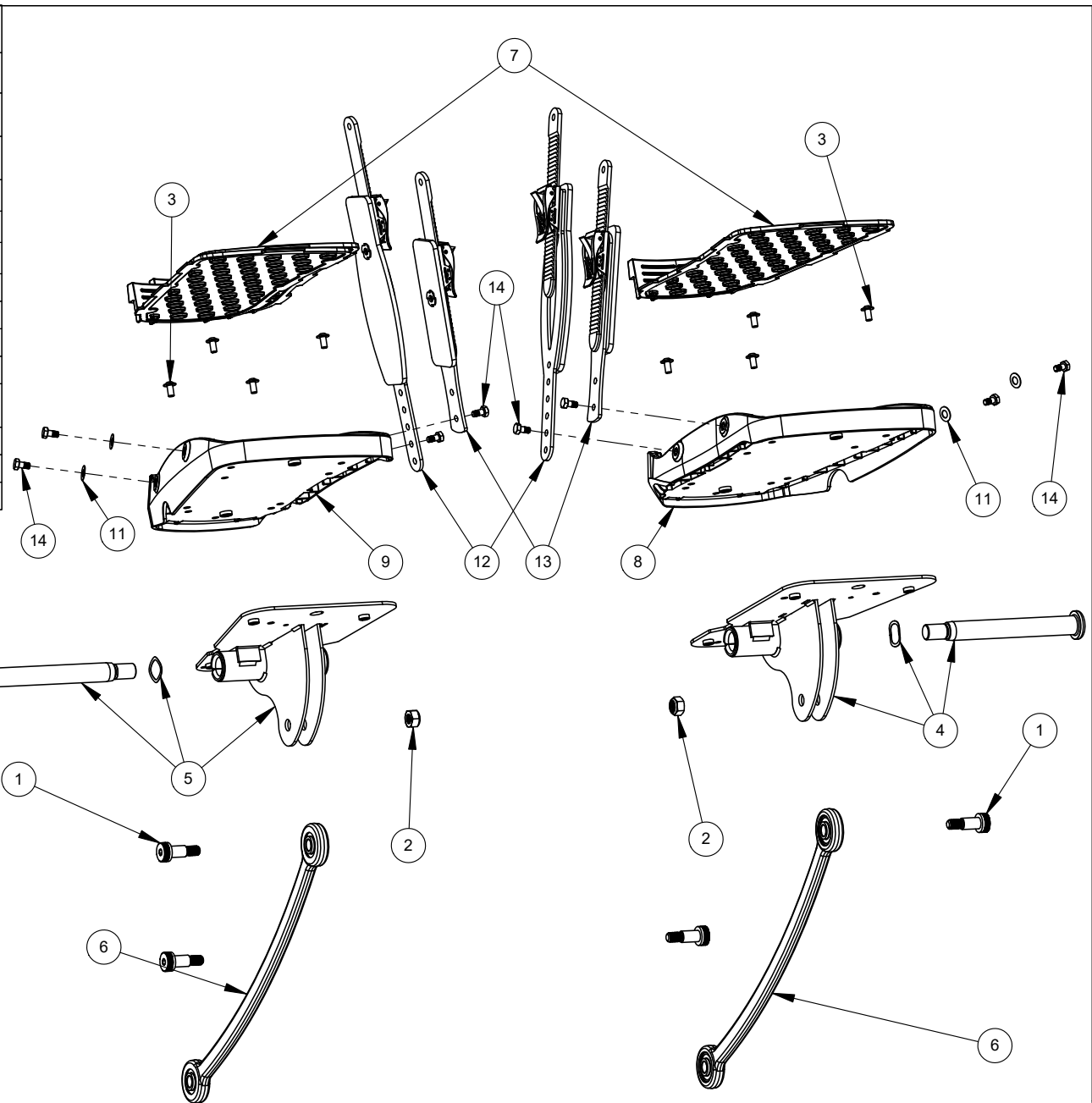
DWG. NO.  
52408

REV  
A

APP  
DCS

RELEASE DATE  
5/6/2020

ITEM NO.	PART NUMBER	DESCRIPTION	QTY.
1	50061	Screw, Shoulder - SHSS, 12MM x 20MM, Class 12.9, Patched	4
2	50417	Nut - Locking, Nylon Insert, M10x1.5, DIN 985, Zinc Plated	2
3	50934	Screw - FBHCS, M6x1.0px12mm, 10.9, Black Zinc, Patched	8
4	56148	Service Kit - Footpedal Base, LH, T6	1
5	56149	Service Kit - Footpedal Base, RH, T6	1
6	56150	Service Kit - Pedal Connecting Link	2
7	56151	Service Kit - Foot Pedal Treads, T6	1
8	56152	Service Kit - Foot Pedal LH	1
9	56153	Service Kit - Foot Pedal RH	1
10	58670	Service Kit - Foot Secure System	1
11	51188	Washer - Disc Spring, Gardner Spring #MB0625-022	4
12	59668	Assembly - Ankle Strap	2
13	59669	Assembly - Toe Strap	2
14	51455	Bolt - Hex, T5 Foot Strap	8



**SERVICE KITS MAY INCLUDE  
INSTRUCTIONS AND TOOLS**



TITLE: T6 PARTS MANUAL  
FOOT PEDAL GROUP

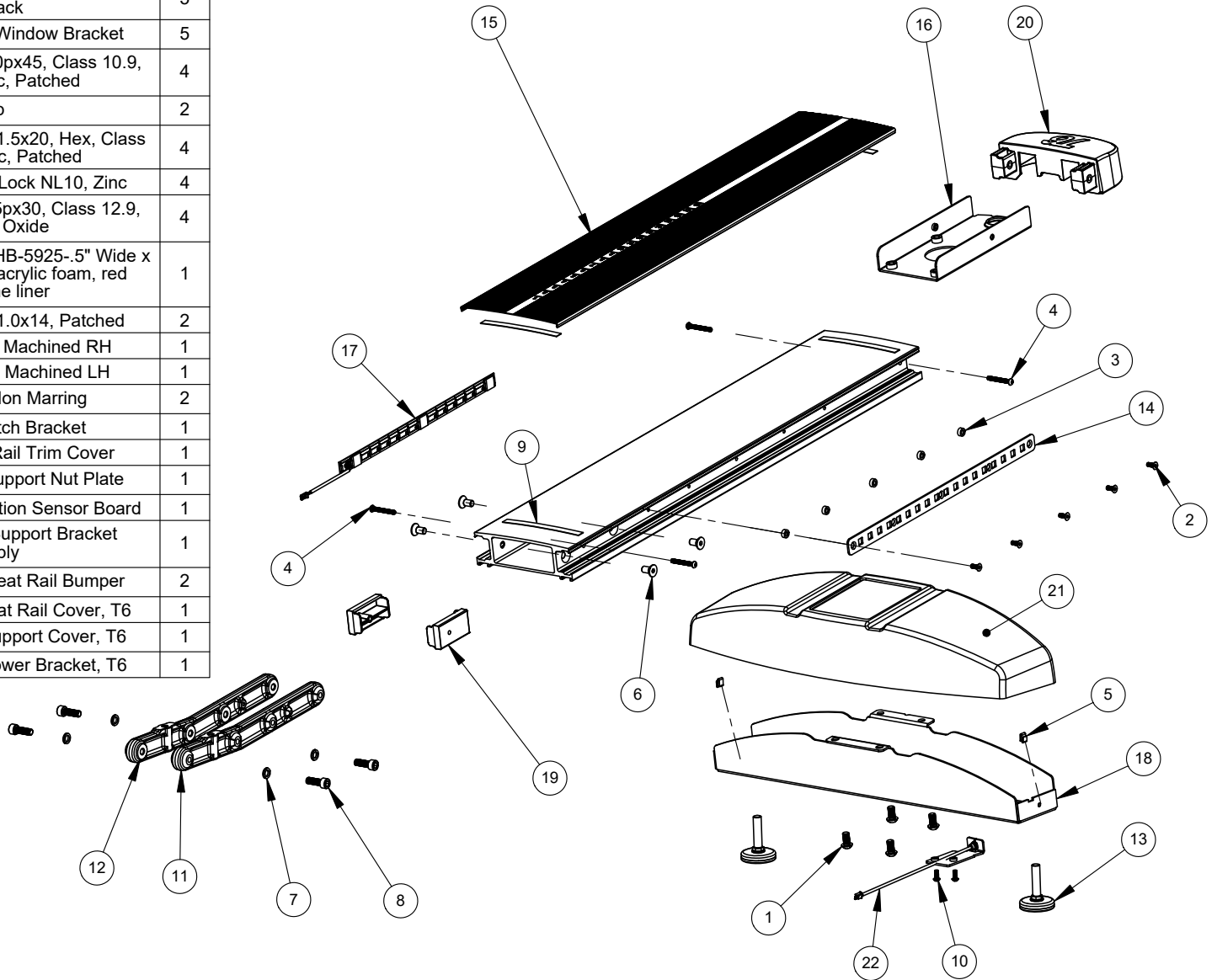
DWG. NO. 52410

REV A

APP DCS

RELEASE DATE 5/6/2020

ITEM NO.	PART NUMBER	DESCRIPTION	QTY.
1	50076	Screw - BHSC, M10x1.5x20, Class 10.9, Hex, Black, Patched	4
2	50184	Screw - FHSC, M6x1.0x16, Grade 10.9, Hex, Black	5
3	50534	Spacer - Rail Latch Window Bracket	5
4	50623	Screw - BHSC, M6x1.0px45, Class 10.9, Hex, Black Zinc, Patched	4
5	50716	S Clip	2
6	50950	Screw - FHSCS, M10x1.5x20, Hex, Class 10.9, Black Zinc, Patched	4
7	50990	Washer - Pair, Nord Lock NL10, Zinc	4
8	50991	Screw - SHC, M10x1.5px30, Class 12.9, Hex, Black Oxide	4
9	50996	Tape - Adhesive, 3M VHB-5925-.5" Wide x 25mil, Double sided acrylic foam, red polyethylene liner	1
10	51908	Screw - BHSC, M6x1.0x14, Patched	2
11	51985	Bar - Frame Joint - Machined RH	1
12	51986	Bar - Frame Joint - Machined LH	1
13	52188	Leveler Foot - Non Marring	2
14	56013	Service Kit - Latch Bracket	1
15	56015	Service Kit - Seat Rail Trim Cover	1
16	56017	Service Kit - Rear Support Nut Plate	1
17	56018	Servive Kit - Seat Position Sensor Board	1
18	56021	Service Kit - Rear Support Bracket Assembly	1
19	56022	Service Kit - Front Seat Rail Bumper	2
20	56154	Service Kit - Rear Seat Rail Cover, T6	1
21	56155	Service Kit - Rear Support Cover, T6	1
22	56156	Service Kit - Rear Power Bracket, T6	1



**SERVICE KITS MAY INCLUDE INSTRUCTIONS AND TOOLS**



TITLE: T6 REAR END GROUP

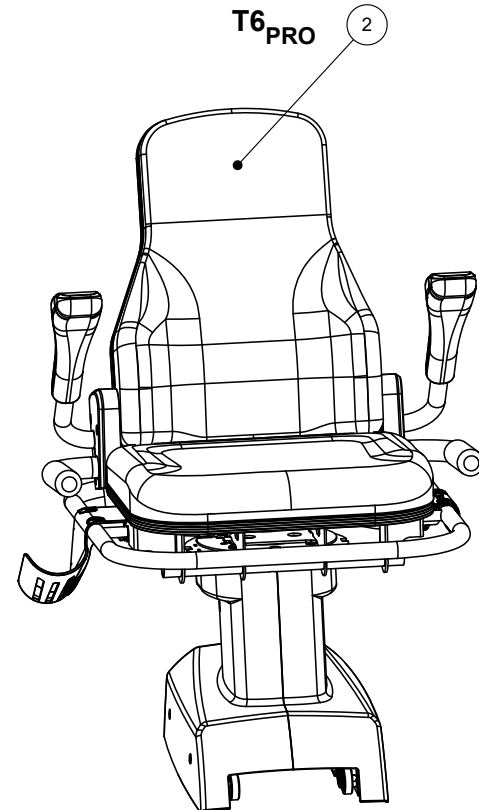
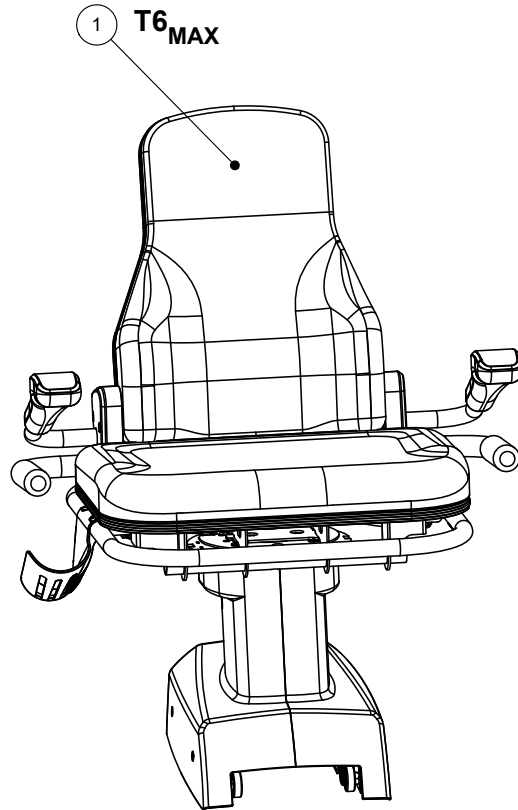
DWG. NO. 52411

REV A

APP DCS

RELEASE DATE 5/6/2020

ITEM NO.	PART NUMBER	DESCRIPTION	QTY.
1	52372	Assembly - Seat & Trolley, T6 Wide	1
2	52328	Assembly - Seat & Trolley, T6	1



TITLE: T6 PARTS MANUAL  
SEAT GROUP

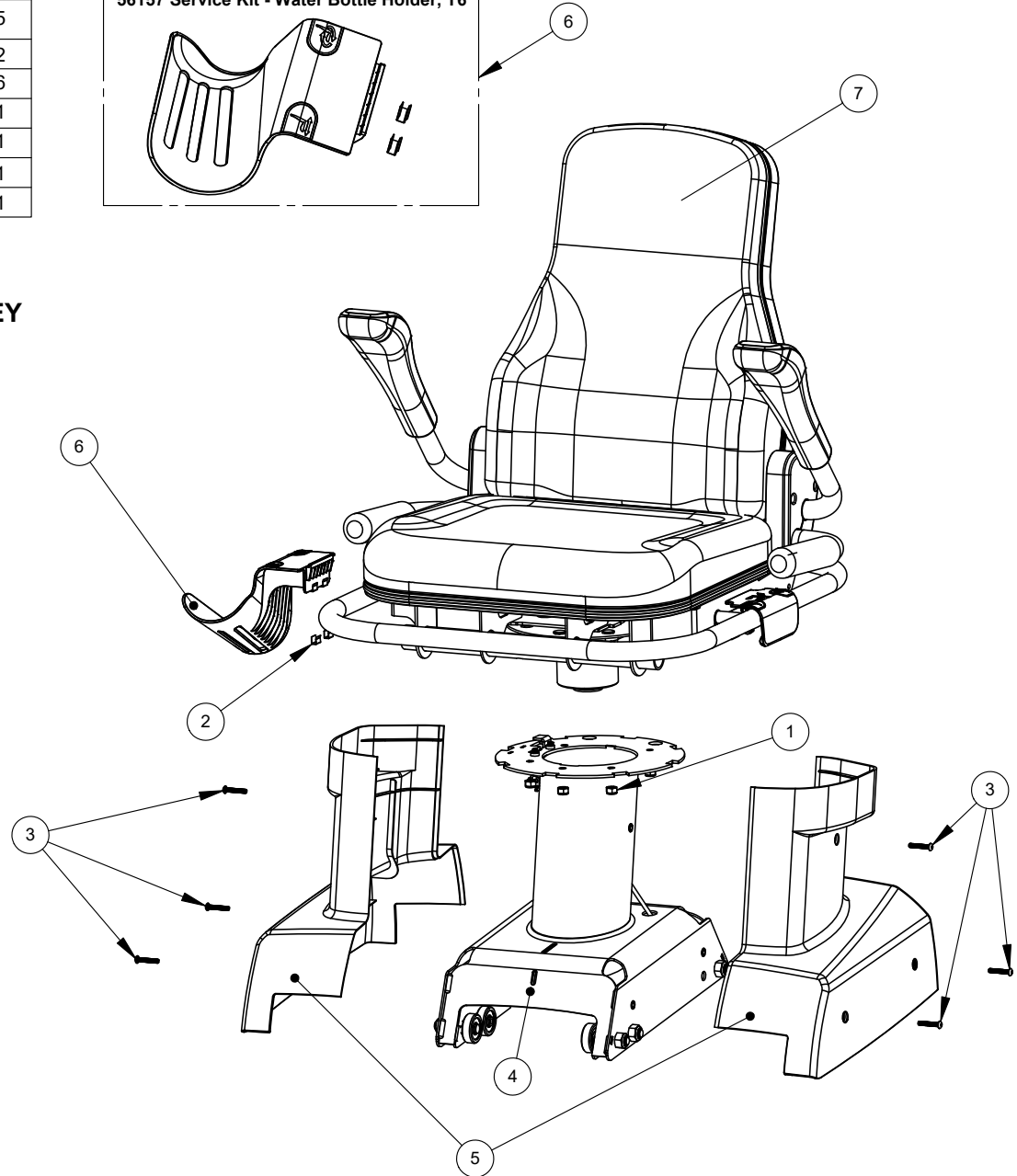
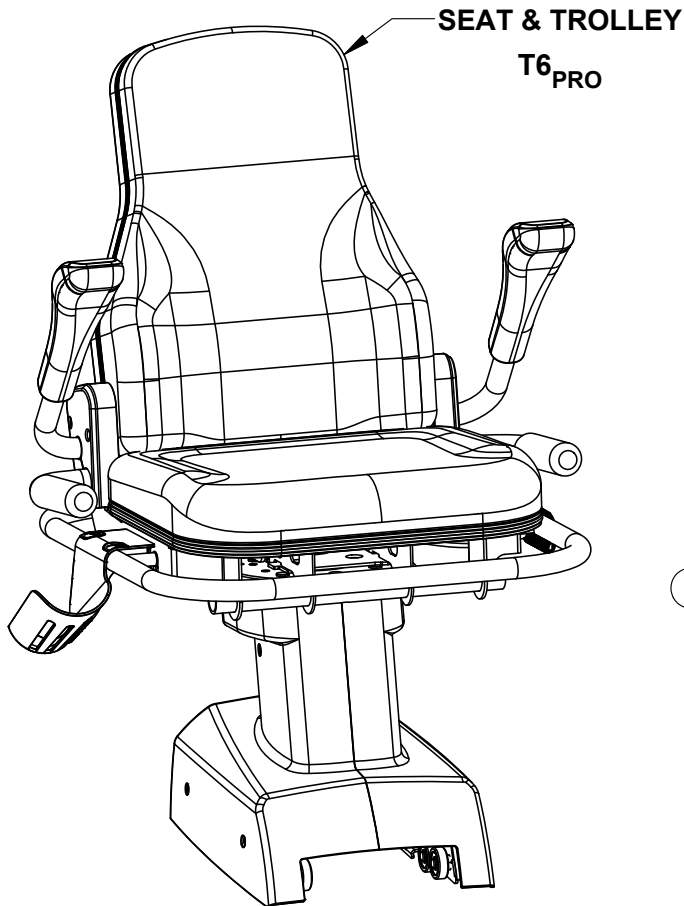
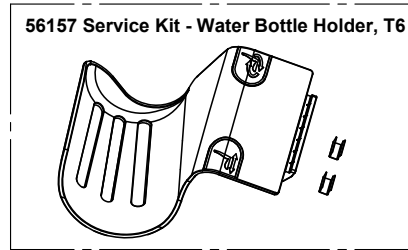
DWG. NO.  
52412

REV  
A

APP  
DCS

RELEASE DATE  
5/6/2020

ITEM NO.	PART NUMBER	DESCRIPTION	QTY.
1	50546	Nut - Locking, Nylon Insert, M8x1.25, Zinc Plated, DIN 985	5
2	50599	CLIP, SPRING, WATER BOTTLE HOLDER	2
3	50705	Screw - BHSC, M5x0.8px30. Hex, SS	6
4	56054	Service Kit - Trolley Assembly	1
5	56103	Service Kit - Trolley Covers	1
6	56157	Service Kit - Water Bottle Holder, T6	1
7	56158	Service Kit - T6 Seat	1



**SERVICE KITS MAY INCLUDE INSTRUCTIONS AND TOOLS**



TITLE: T6 PARTS MANUAL  
SEAT GROUP

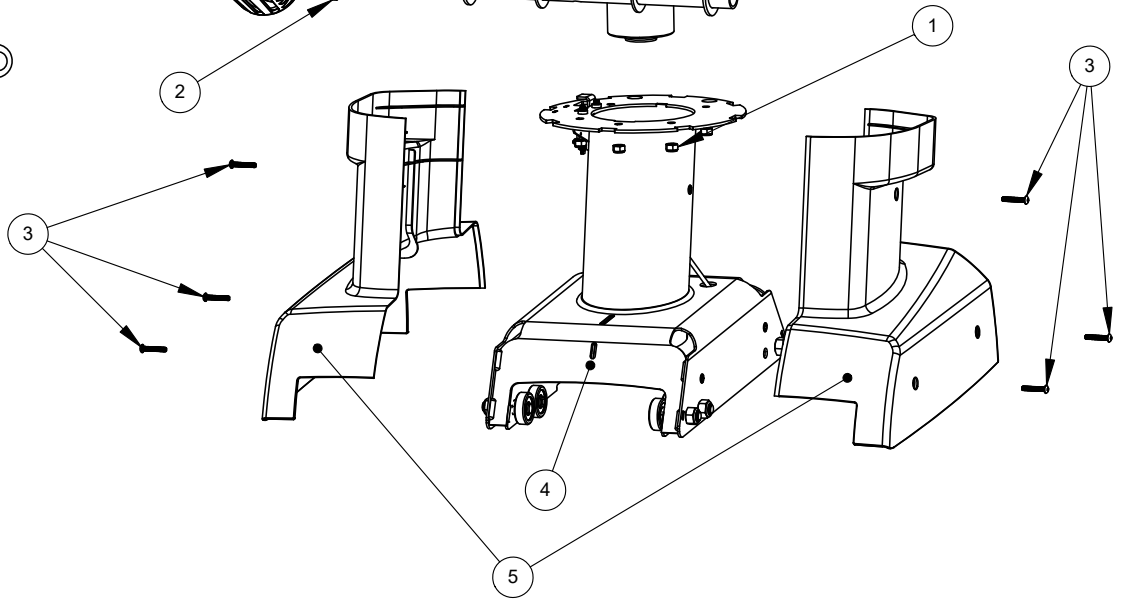
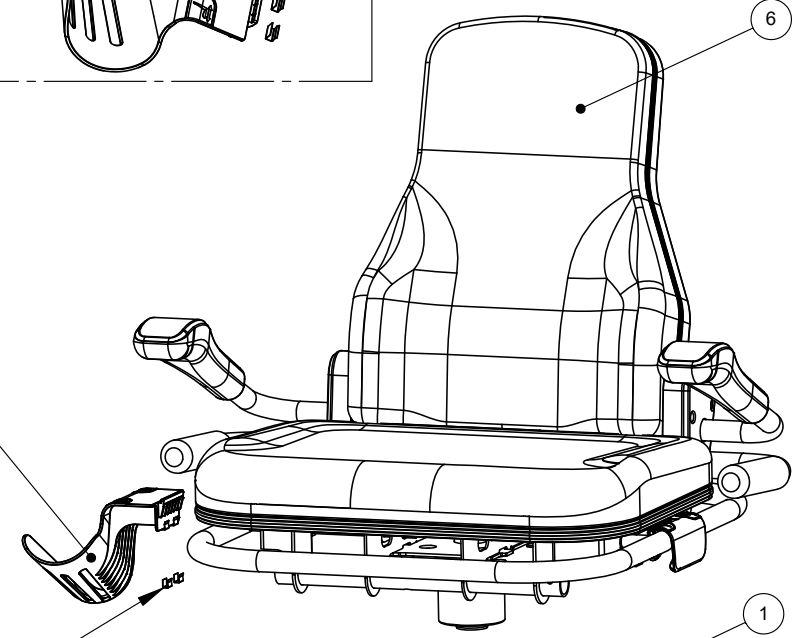
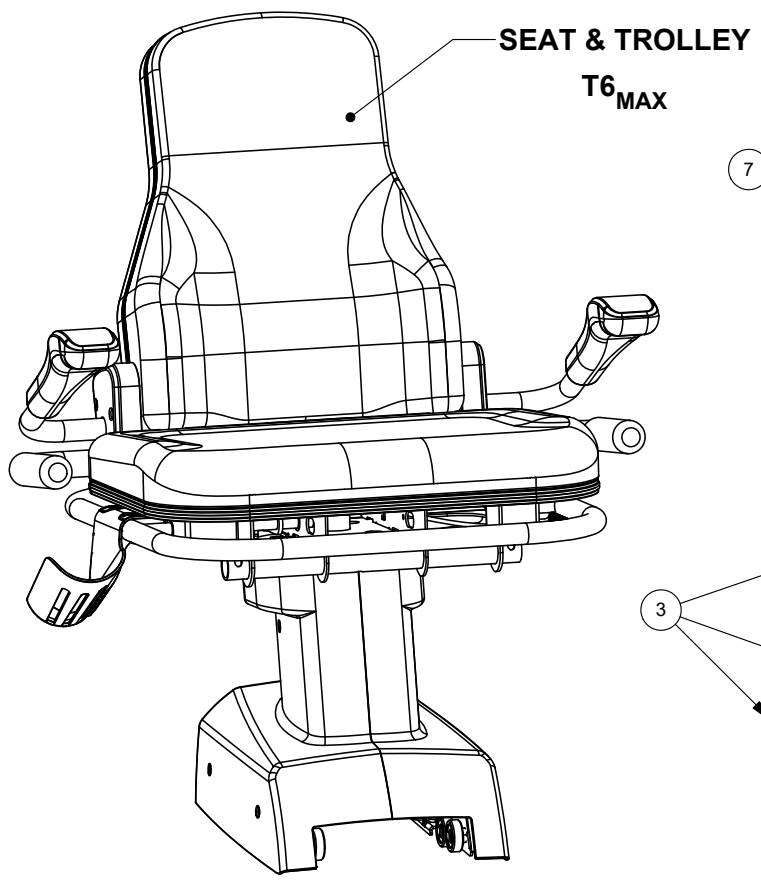
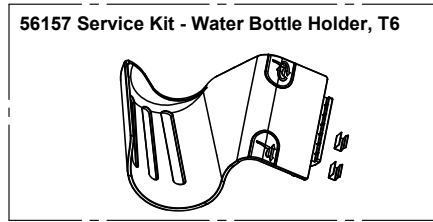
DWG. NO.  
52413

REV  
A  
APP  
DCS

RELEASE DATE  
5/6/2020



ITEM NO.	PART NUMBER	DESCRIPTION	QTY.
1	50546	Nut - Locking, Nylon Insert, M8x1.25, DIN 985, Zinc Plated	5
2	50599	CLIP, SPRING, WATER BOTTLE HOLDER	2
3	50705	Screw - BHSC, M5x0.8px30. Hex, SS	6
4	56054	Service Kit - Trolley Assembly	1
5	56103	Service Kit - Trolley Covers	1
6	56159	Service Kit - T6 Wide Seat	1
7	56157	Service Kit - Water Bottle Holder, T6	1



**SERVICE KITS MAY INCLUDE INSTRUCTIONS AND TOOLS**



TITLE: T6 PARTS MANUAL SEAT GROUP

DWG. NO. 52414

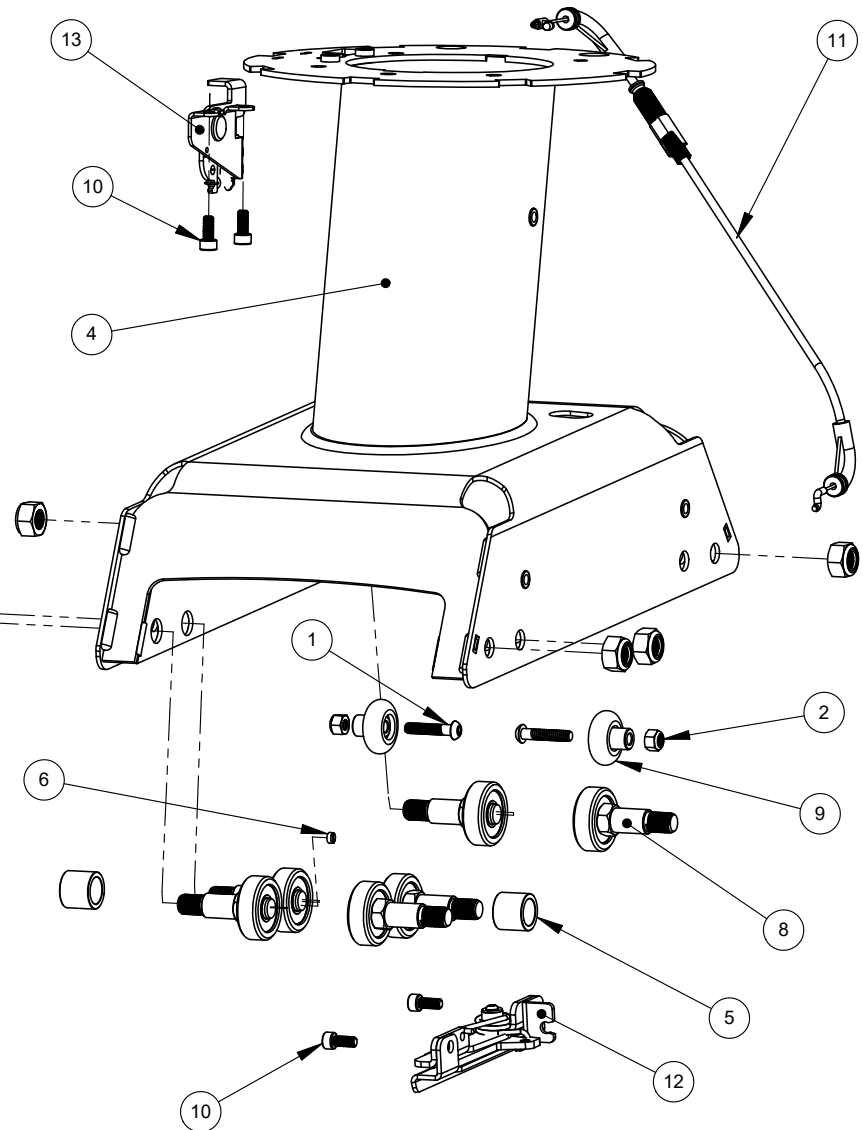
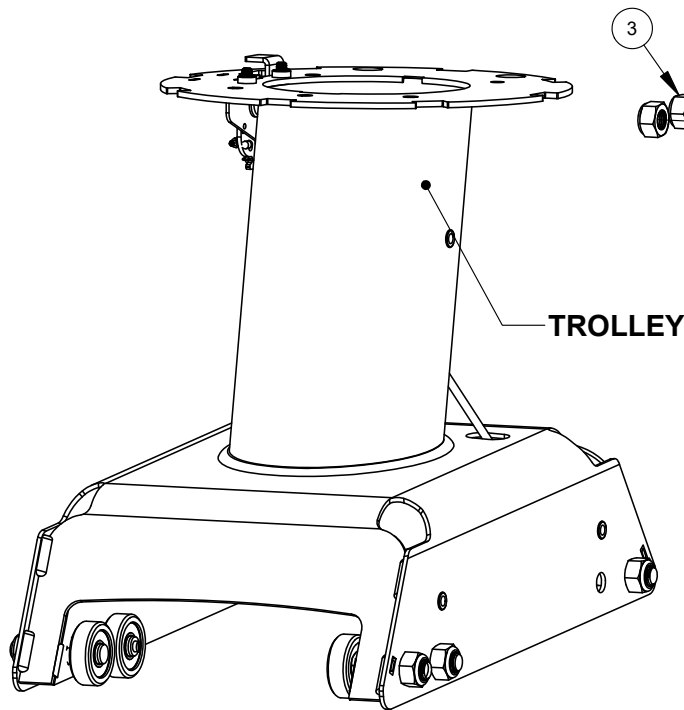
REV A

APP DCS

RELEASE DATE 5/6/2020



ITEM NO.	PART NUMBER	DESCRIPTION	QTY.
1	41018	Screw - BHCS G8 1/4-20 X 1-1/4	2
2	41222	Nut - Nulock 1/4-20, Grade 5, Black Zink	2
3	50544	Nut - Locking, Nylon Insert, M12x1.25p, DIN 985, Zinc Plated	6
4	50551	Weldment - Trolley	1
5	50852	Spacer - Trolley Wheel	2
6	51473	Service Kit - Sensor Magnet Replacement	1
7	51824	Loctite - 454, Adhesive	1
8	51936	Service Kit - Seat Wheel	6
9	51937	Service Kit - Seat Drag Wheel	2
10	52203	Screw - SHCS, M6x1.0x14, Hex, Class 12.9, Black Oxide	4
11	56051	Service Kit - Rail Latch Release Cable	1
12	56052	Service Kit - Rail Latch Assembly	1
13	56053	Service Kit - Rail Latch Cable Lever Assembly	1



TITLE:

T6 PARTS MANUAL  
SEAT GROUP

DWG. NO.

52415

REV

A

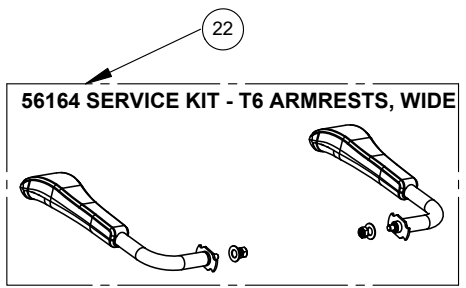
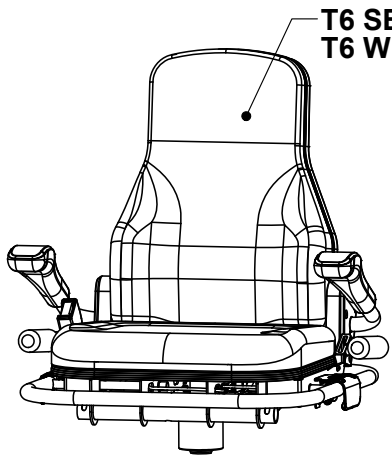
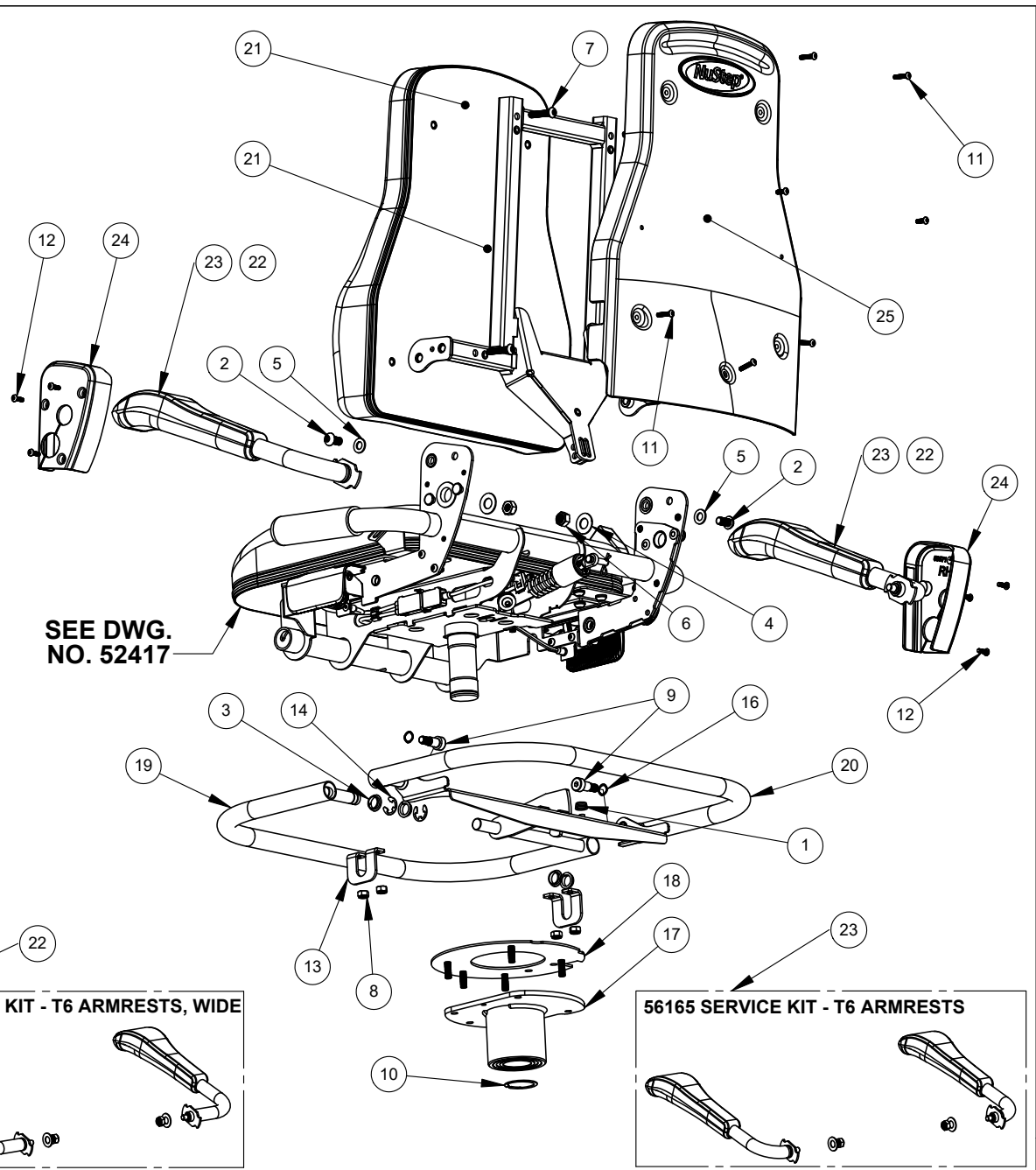
APP

DCS

RELEASE DATE

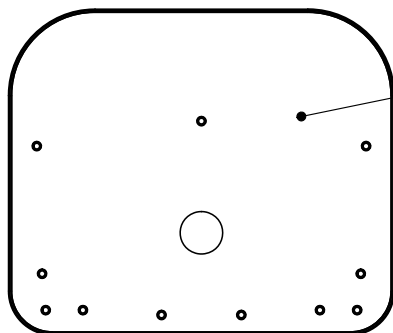
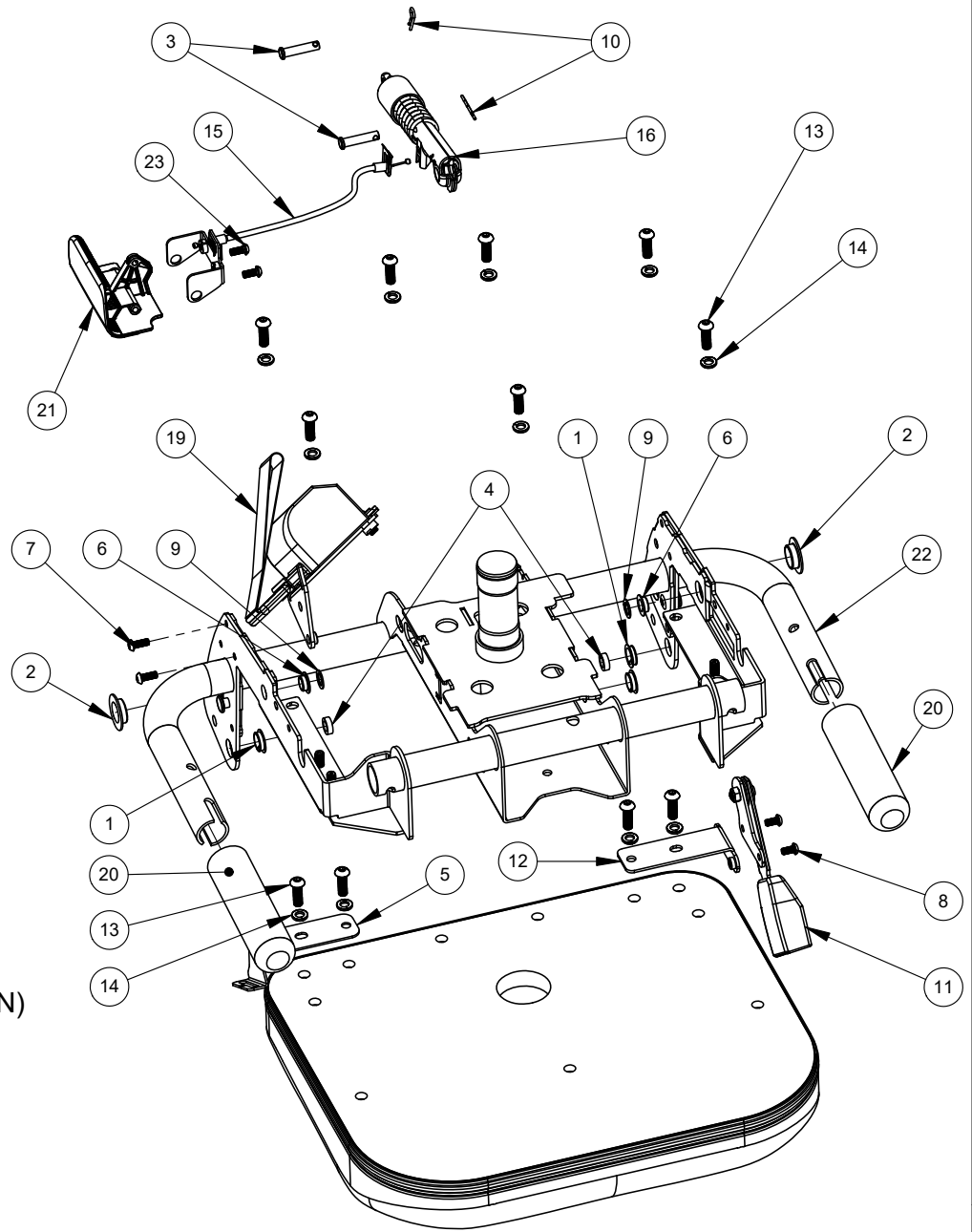
5/6/2020

ITEM NO.	PART NUMBER	DESCRIPTION	QTY.
1	41142	Spring - Rear Seat Lever	1
2	50076	Screw - BHSC, M10x1.5x20, Class 10.9, Hex, Black, Patched	2
3	50348	Bushing, Igus MCI-10-02	4
4	50378	Washer - Belleville, 0.567" ID, 410 lbs	2
5	50383	Washer, M10x2.0	2
6	50417	Nut - Locking, Nylon Insert, M10x1.5, DIN 985, Zinc Plated	2
7	50511	Screw - BHSC, M8x1.25x40, Hex, Black	4
8	50546	Nut - Locking, Nylon Insert, M8x1.25, DIN 985, Zinc Plated	4
9	50564	Screw - Socket, Shoulder, M12x1.5x16	2
10	50575	Snap Ring - Waldes Truars 5108-150	1
11	50698	Screw - BHSC, M5x0.8x25, Hex, SS	5
12	50704	Screw - BHSCS, M5x0.8x16, SS	8
13	50872	Bracket - Seat Release Shaft	2
14	50874	E-Clip, Waldes Truarc #5133-62	2
15	51413	Service Kit - Frame, Seat Back	1
16	52204	Washer - Wave Spring	2
17	56067	Service Kit - Bearing Cartridge Assembly	1
18	56068	Service Kit - Seat Stud Plate	1
19	56161	Service Kit - Seat Lever, Front, T6	1
20	56162	Service Kit - Seat Lever, Rear, T6	1
21	56163	Service Kit - Seat Back Pad Replacement	1
22	56164	Service Kit - T6 Armrests, Wide	1
23	56165	Service Kit - T6 Armrests	1
24	58368	Service Kit - Seat Riser Covers	1
25	58373	Service Kit - Cover Seat Back Transitt	1



	TITLE:	T6 PARTS MANUAL SEAT GROUP	DWG. NO.	52416	REV	A	APP	DCS	RELEASE DATE	5/6/2020

ITEM NO.	PART NUMBER	DESCRIPTION	QTY.
1	50348	Bushing, Igus MCI-10-02	3
2	50377	Bearing - Flange, 20mm x 8.25mm	2
3	50379	Pin - Clevis, Standard, 5/16 OD x 1 3/8	2
4	50382	Spacer- Back Frame Pivot	2
5	50395	Bracket - Lap Belt Guide	1
6	50563	Bushing - Igus GFM-1214-06	2
7	50565	Screw - BHSC, M6x1.0x16, Class 10.9, Hex, Black Oxide	2
8	50603	Screw - BHSC, M6x1.0px12, Class 10.9, Hex, Black Oxide	2
9	50877	Washer - Shim, DIN 988, Spring Steel, 12mm IDx18mmODx1mm Thick	2
10	50927	Cotter Pin, Hairpin Style, Steel, Zinc	2
11	51589	ASSEMBLY - Lap Buckle, Lower	1
12	51600	ASSEMBLY - Lap Buckle Mount, Upper	1
13	51756	Screw - BHSC, M8x1.25x25, Class 10.9, Hex, Black Oxide, VC-3 Patched	11
14	51757	Washer - M8 Split Lock, Zinc	11
15	56080	Service Kit - Cable & Bracket - Seat Recline	1
16	56079	Service Kit - Actuator, Seat Recline	1
17	56166	Service Kit - Narrow Seat Cushion Pad Replacement, T6	1
18	56167	Service Kit - Wide Seat Cushion Pad Replacement, T6	1
19	58311	Service Kit - Lap Belt	1
20	58352	Service Kit - Side Grab Handle	2
21	58372	Service Kit - Seat Recline Lever LH	1
22	59320	Weldment - Cushion Frame, Narrow	1
23	50351	Screw - BHSC, M6x1.0x14, Class 10.9, Hex, Black Oxide	2



17 (NARROW SHOWN)  
18 (WIDE)



TITLE:

T6 PARTS MANUAL  
SEAT GROUP

DWG. NO.

52417

REV

A

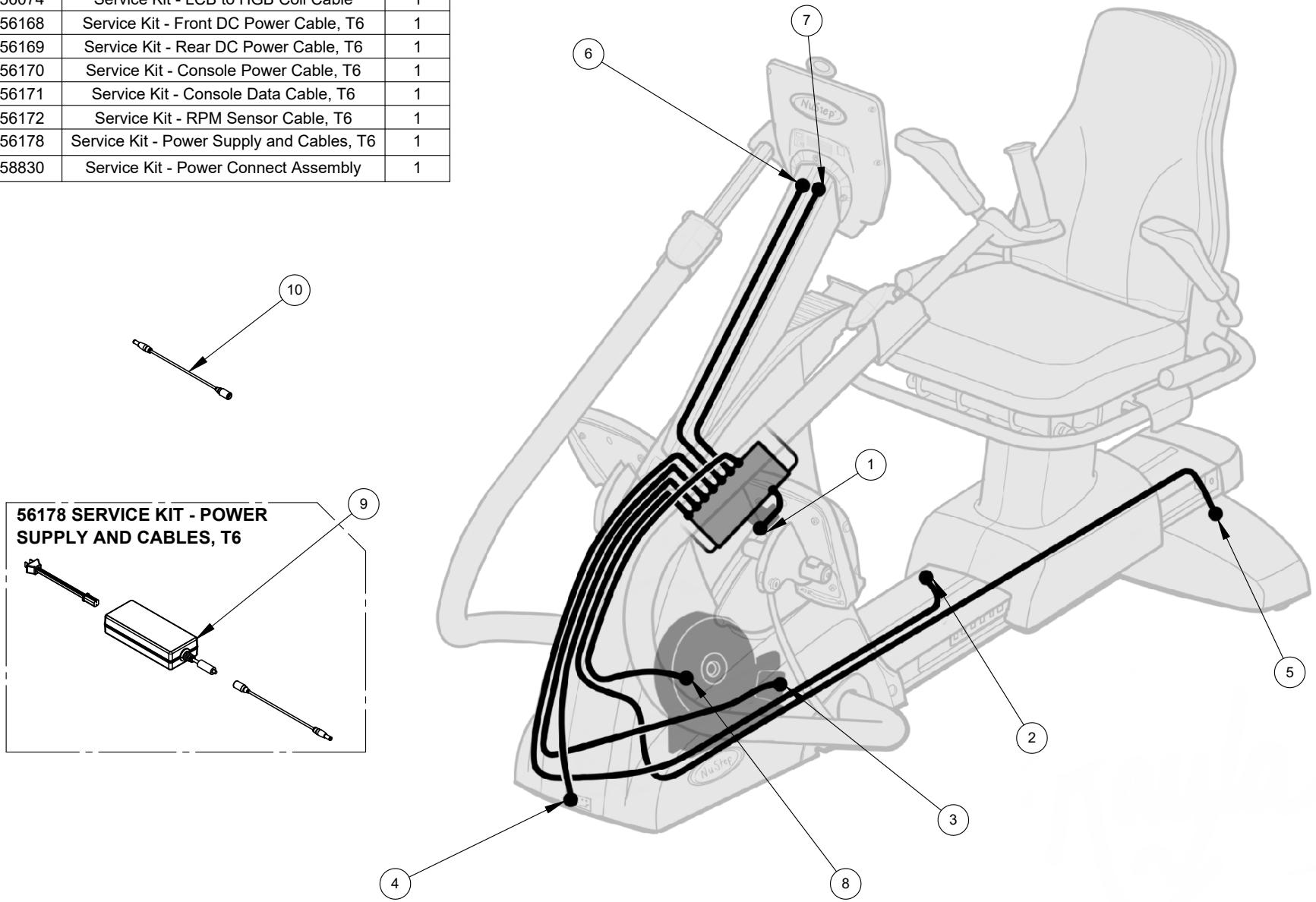
APP

DCS

RELEASE DATE

5/6/2020

ITEM NO.	PART NUMBER	DESCRIPTION	QTY.
1	56037	Service Kit - Step Sensor Cable	1
2	56069	Service Kit - Seat Position Sense Cable	1
3	56074	Service Kit - LCB to HGB Coil Cable	1
4	56168	Service Kit - Front DC Power Cable, T6	1
5	56169	Service Kit - Rear DC Power Cable, T6	1
6	56170	Service Kit - Console Power Cable, T6	1
7	56171	Service Kit - Console Data Cable, T6	1
8	56172	Service Kit - RPM Sensor Cable, T6	1
9	56178	Service Kit - Power Supply and Cables, T6	1
10	58830	Service Kit - Power Connect Assembly	1



TITLE:	T6 PARTS MANUAL CABLE DIAGRAM	DWG. NO.	52418	REV	A	APP	DCS	RELEASE DATE	5/6/2020
--------	----------------------------------	----------	-------	-----	---	-----	-----	--------------	----------





NuStep, LLC  
5111 Venture Drive, Suite 1  
Ann Arbor, MI 48108  
U.S.A.  
(800) 322-4434  
(734) 769-4400  
support@nustep.com  
www.nustep.com

The information in this manual is the most current at the time of printing. Due to our commitment toward continuous improvement, specifications and descriptions are subject to change without notice. No part of this manual may be reproduced or transmitted in any form or by any means, electronic or mechanical, for any purpose without the express written permission of NuStep, LLC. © Copyright April 2020 by NuStep, LLC.

NuStep® and Transforming Lives® are registered trademarks of NuStep, LLC.

Manual PN 52500, Rev A